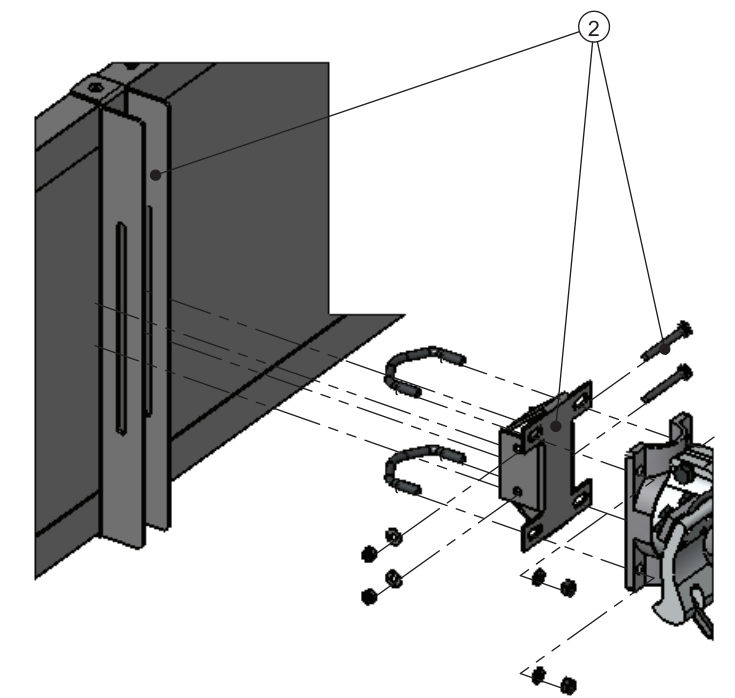
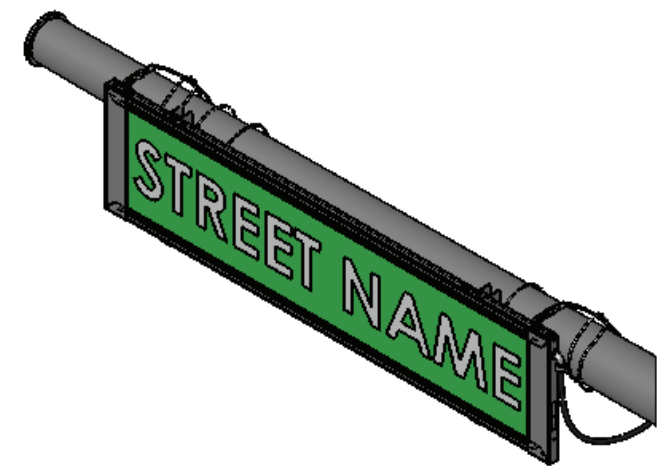
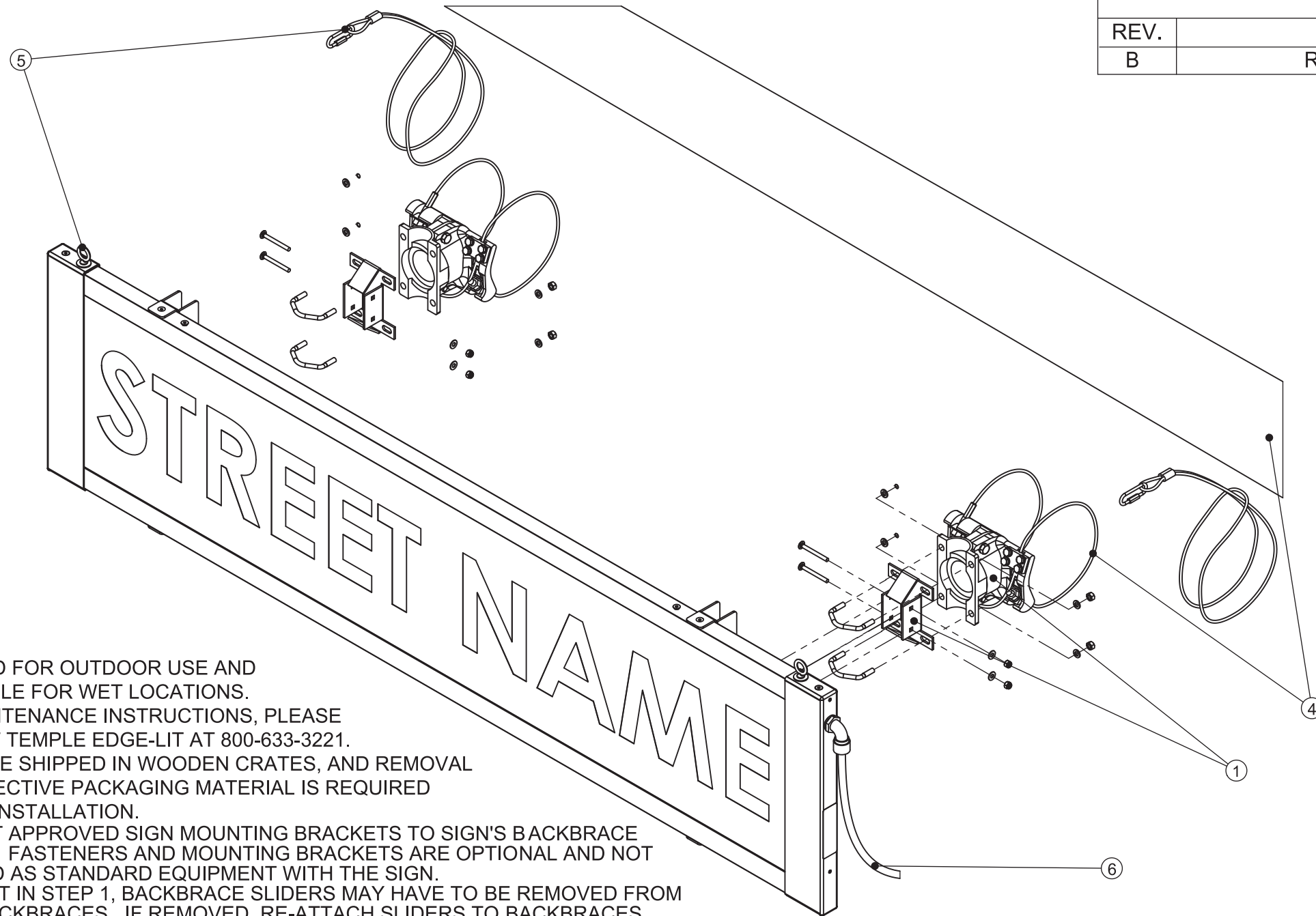


REVISIONS			
REV.	DESCRIPTION	DATE	APPROVED
B	REVISED RELEASE	03/18/2009	AJL



REAR DETAIL VIEW

**INSTALLATION:**

1. INTENDED FOR OUTDOOR USE AND IS SUITABLE FOR WET LOCATIONS.
2. FOR MAINTENANCE INSTRUCTIONS, PLEASE CONTACT TEMPLE EDGE-LIT AT 800-633-3221.
3. SIGNS ARE SHIPPED IN WOODEN CRATES, AND REMOVAL OF PROTECTIVE PACKAGING MATERIAL IS REQUIRED BEFORE INSTALLATION.
4. CONNECT APPROVED SIGN MOUNTING BRACKETS TO SIGN'S BACKBRACE SLIDERS. FASTENERS AND MOUNTING BRACKETS ARE OPTIONAL AND NOT SUPPLIED AS STANDARD EQUIPMENT WITH THE SIGN. TO ASSIST IN STEP 1, BACKBRACE SLIDERS MAY HAVE TO BE REMOVED FROM THEIR BACKBRACES. IF REMOVED, RE-ATTACH SLIDERS TO BACKBRACES USING HARDWARE INCLUDED WITH SIGN.
5. APPROVED BRACKETS, SUCH AS PELCO AS-3004 OR AS-3009 **MUST** BE ORIENTED AS SHOWN.
6. RIGIDLY ATTACH MOUNTING BRACKET TO MAST ARM, USING EITHER THE BANDING OR CABLING PROVIDED WITH THE MOUNTING BRACKET.
7. **TEMPLE RECOMMENDS 2 SAFETY CABLES, ONE FOR EACH END. SAFETY CABLES ARE OPTIONAL AND NOT PROVIDED AS STANDARD EQUIPMENT.** LOOP SAFETY CABLE OVER MAST ARM, THROUGH ITSELF, AND THEN PERMANENTLY ATTACH IT TO PROVIDED EYEBOLT.
8. CONNECT ELECTRICAL TERMINATIONS USING LOCALLY-APPROVED METHODS:  
 BLACK: LINE VOLTAGE, 120-240VAC, 50/60Hz  
 WHITE: NEUTRAL  
 GREEN: GROUND
9. THE LOCATION OF THE DISCONNECT SWITCH AFTER INSTALLATION SHALL COMPLY WITH ARTICLE 600 OF THE NATIONAL ELECTRICAL CODE.

**NOTES:** LOCAL AUTHORITIES ARE RESPONSIBLE FOR THE TRAFFIC SYSTEM DESIGN, TAKING INTO ACCOUNT LOCAL ENVIRONMENTAL AND WIND LOADING CONDITIONS. TYPICAL MOUNTING CONFIGURATION INVOLVING PELCO AS-3004 OR AS-3009 SIGN MOUNTING BRACKETS SHOWN ABOVE (OTHERS POSSIBLE). ELECTRICAL CONNECTIONS NOT SHOWN FOR CLARITY.

**UNLESS OTHERWISE SPECIFIED**  
DO NOT SCALE DRAWING

INTERPRET DIMENSIONS AND TOLERANCES PER ASME Y14.100-2000  
TOLERANCES APPLY AS SHOWN BELOW

.X	±.1	63	±1°
.XX	±.01		
.XXX	±.005		
.XXXX	±.0005		

**INCHES**

**THIRD ANGLE PROJECTION**

**PDM MAINTAINED DATA**  
CHANGES SHALL BE INCORPORATED ELECTRONICALLY BY THE DESIGN AUTHORITY

**PROPRIETARY**  
COPYRIGHT © 2022 BY Temple, Inc., Decatur, Alabama  
ALL RIGHTS RESERVED. NO PART OF THIS DOCUMENT MAY BE REPRODUCED STORED IN A RETRIEVAL SYSTEM, OR TRANSMITTED IN ANY FORM, WITHOUT THE WRITTEN PERMISSION OF TEMPLE, INCORPORATED.

DESIGNED BY	Temple, Inc.	DATE	10-Oct-2022
DRAWN BY	Temple, Inc.	DATE	10-Oct-2022
APPROVED		DATE	

**Temple Edge-Lit**

P.O. Box 2066  
Decatur, AL 35602  
Tel 1.800.633.3221  
Fax 1.256.353.4578

TITLE: Temple Edge-Lit Internally-Illuminated LED Sign RIGID MOUNT INSTALLATION INSTRUCTIONS

SIZE	DRAWING NO	REVISION
<b>B</b>	<b>53021</b>	<b>C</b>
SCALE	CAD REFERENCE	SHEET
1:9	53021.SLDASM	1 OF 1